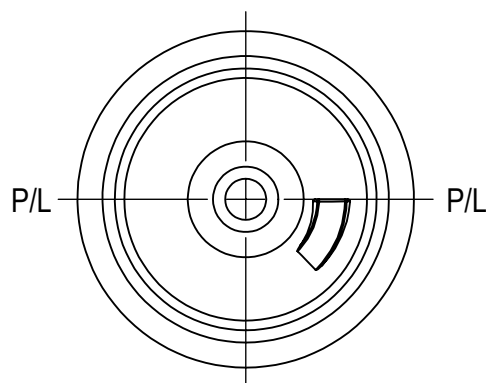



AVAILABLE:

1. SKU#100161, CLEAR
2. SKU#100169, CLEAR/RPET



THIS DRAWING CONTAINS PROPRIETARY INFORMATION OF CONSUMERS PACKAGING GROUP INC. NEITHER THIS DRAWING OR ITS CONTENTS MAY BE REPRODUCED IN ANY FORM, FOR ANY PURPOSE, UNLESS WRITTEN CONSENT IS GIVEN BY CONSUMERS PACKAGING INC.

BOTTLE SPECIFICATIONS	
MATERIAL: PETE	FILL CAPACITY: 100ML ± 4ML
WEIGHT: 9g ± 1.5g	OVERFLOW CAPACITY: 114ML ± 4ML
 CONSUMERS PACKAGING GROUP INC. TEL: 416-504-5200; FAX: 416-504-0707; sales@consumerspackaging.com	
DWN. BY: Y.F.	DATE: 28/09/11
APR. BY:	DATE:
SCALE: 1:1	DRAWING NO: CPG-1151-A-V01-R01
DESCRIPTION: 100 ML/3.5 OZ TALL BOSTON ROUND	