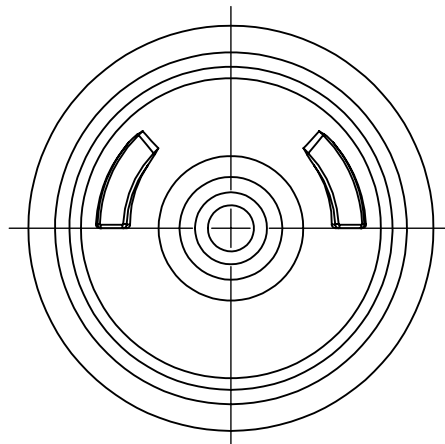



AVAILABLE:

1. SKU#100047, AMBER
2. SKU#100081, CLEAR

THIS DRAWING CONTAINS PROPRIETARY INFORMATION OF CONSUMERS PACKAGING GROUP INC. NEITHER THIS DRAWING OR ITS CONTENTS MAY BE REPRODUCED IN ANY FORM, FOR ANY PURPOSE, UNLESS WRITTEN CONSENT IS GIVEN BY CONSUMERS PACKAGING INC.



BOTTLE SPECIFICATIONS

| | |
|---|--------------------------------|
| MATERIAL: PETE | FILL CAPACITY: 177ML ± 6ML |
| WEIGHT: 20g ± 1g | OVERFLOW CAPACITY: 192ML ± 6ML |
|  CONSUMERS PACKAGING GROUP INC. TEL: 416-504-5200; FAX: 416-504-0707; sales@consumerspackaging.com | |
| DWN. BY: Y.F. | DATE: 28/10/08 |
| APR. BY: | DATE: |
| SCALE: 1:1 | DRAWING NO: CPG-1057-A-V01-R02 |

DESCRIPTION: 180ML/6 OZ APOTHECARY