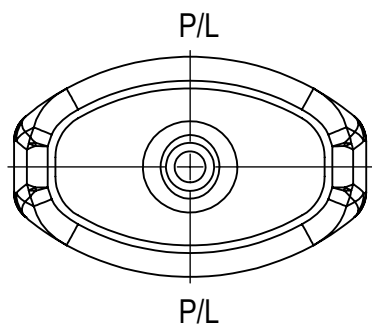



AVAILABLE:

1. SKU#100087, CLEAR

THIS DRAWING CONTAINS PROPRIETARY INFORMATION OF CONSUMERS PACKAGING GROUP INC. NEITHER THIS DRAWING OR ITS CONTENTS MAY BE REPRODUCED IN ANY FORM, FOR ANY PURPOSE, UNLESS WRITTEN CONSENT IS GIVEN BY CONSUMERS PACKAGING INC.



BOTTLE SPECIFICATIONS

MATERIAL: PETE	FILL CAPACITY: 236ML ± 7ML
WEIGHT: 23g ± 1g	OVERFLOW CAPACITY: 259ML ± 7ML
 CONSUMERS PACKAGING GROUP INC. TEL: 416-504-5200; FAX: 416-504-0707; sales@consumerspackaging.com	
DWN. BY: Y.F.	DATE: 24/09/09
APR. BY:	DATE:
SCALE: 1:1	DRAWING NO: CPG-1086-A-V03-R01

DESCRIPTION: 8 OZ CUSTOM OVAL