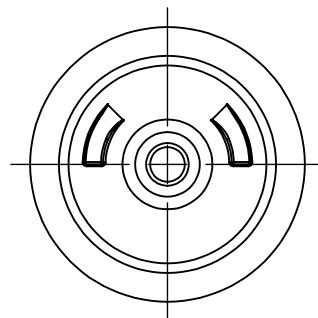



AVAILABLE:

1. SKU#100027, CLEAR
2. SKU#100037, WHITE
3. SKU#100043, AMBER
4. SKU#100089, BLUE COBALT

THIS DRAWING CONTAINS PROPRIETARY INFORMATION OF CONSUMERS PACKAGING GROUP INC. NEITHER THIS DRAWING OR ITS CONTENTS MAY BE REPRODUCED IN ANY FORM, FOR ANY PURPOSE, UNLESS WRITTEN CONSENT IS GIVEN BY CONSUMERS PACKAGING INC.



BOTTLE SPECIFICATIONS	
MATERIAL: PETE	FILL CAPACITY: 59ML ± 3ML
WEIGHT: 9g ± 1g	OVERFLOW CAPACITY: 62ML ± 3.5ML
 CONSUMERS PACKAGING GROUP INC. <small>TEL: 416-504-5200; FAX: 416-504-0707; sales@consumerspackaging.com</small>	
DWN. BY: Y.F.	DATE: 17/01/07
APR. BY:	DATE:
SCALE: 1:1	DRAWING NO: CPG-1033-A-V01-R03

DESCRIPTION: 60ML/2 OZ BOSTON ROUND